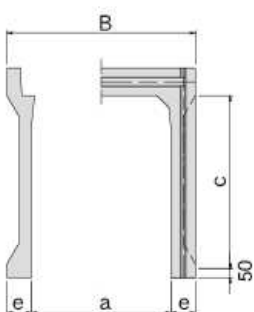
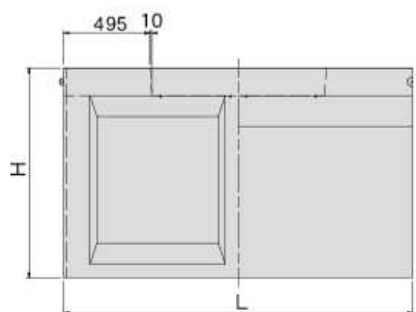
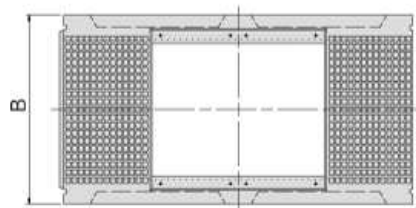


アートOS (大型)

単体図



| 呼び名 | 参考質量 (kg) | 価格 (円) | 寸法 (mm) | | | | | |
|-----------|-----------|--------|---------|------|------|-----|-----|-----|
| | | | a | c | L | B | H | e |
| 700 × 500 | 885 | | 700 | 500 | 2000 | 970 | 700 | 135 |
| 600 | 962 | 600 | | 800 | | | | |
| 700 | 1039 | 700 | | 900 | | | | |
| 800 | 1116 | 800 | | 1000 | | | | |
| 900 | 1193 | 900 | | 1100 | | | | |
| 1000 | 1269 | 1000 | | 1200 | | | | |
| 1100 | 1346 | 1100 | | 1300 | | | | |
| 1200 | 1423 | 1200 | | 1400 | | | | |
| 1300 | 1500 | 1300 | | 1500 | | | | |
| 1400 | 1577 | 1400 | | 1600 | | | | |
| 1500 | 1654 | 1500 | | 1700 | | | | |
| 1600 | 1731 | 1600 | | 1800 | | | | |
| 1700 | 1808 | 1700 | | 1900 | | | | |
| 800 × 600 | 1065 | | | 800 | | | 600 | |
| 700 | 1147 | 700 | 910 | | | | | |
| 800 | 1228 | 800 | 1010 | | | | | |
| 900 | 1310 | 900 | 1110 | | | | | |
| 1000 | 1391 | 1000 | 1210 | | | | | |
| 1100 | 1473 | 1100 | 1310 | | | | | |
| 1200 | 1554 | 1200 | 1410 | | | | | |
| 1300 | 1636 | 1300 | 1510 | | | | | |
| 1400 | 1717 | 1400 | 1610 | | | | | |
| 1500 | 1798 | 1500 | 1710 | | | | | |
| 1600 | 1880 | 1600 | 1810 | | | | | |
| 1700 | 1961 | 1700 | 1910 | | | | | |
| 1800 | 2043 | 1800 | 2010 | | | | | |

紹介

河川

暗渠・防火水槽

下水道

道路

擁壁

水路

その他

| 呼び名 | 参考質量 (kg) | 価 格 (円) | 寸 法 (mm) | | | | | |
|-----------|--------------|------------|----------|------|------|------|-----|-----|
| | | | a | c | L | B | H | e |
| 900× 700 | 1257 | | 900 | 700 | 2000 | 1190 | 920 | 145 |
| 800 | 1343 | 800 | | 1020 | | | | |
| 900 | 1429 | 900 | | 1120 | | | | |
| 1000 | 1575 | 1000 | | 1220 | | | | |
| 1100 | 1601 | 1100 | | 1320 | | | | |
| 1200 | 1687 | 1200 | | 1420 | | | | |
| 1300 | 1773 | 1300 | | 1520 | | | | |
| 1400 | 1859 | 1400 | | 1620 | | | | |
| 1500 | 1945 | 1500 | | 1720 | | | | |
| 1600 | 2031 | 1600 | | 1820 | | | | |
| 1700 | 2117 | 1700 | | 1920 | | | | |
| 1000× 500 | 1195 | | | 1000 | | | 500 | |
| 600 | 1286 | 600 | 830 | | | | | |
| 700 | 1376 | 700 | 930 | | | | | |
| 800 | 1467 | 800 | 1030 | | | | | |
| 900 | 1558 | 900 | 1130 | | | | | |
| 1000 | 1648 | 1000 | 1230 | | | | | |
| 1100 | 1739 | 1100 | 1330 | | | | | |
| 1200 | 1830 | 1200 | 1430 | | | | | |
| 1300 | 1920 | 1300 | 1530 | | | | | |
| 1400 | 2011 | 1400 | 1630 | | | | | |
| 1500 | 2102 | 1500 | 1730 | | | | | |
| 1600 | 2192 | 1600 | 1830 | | | | | |
| 1700 | 2283 | 1700 | 1930 | | | | | |
| 1800 | 2374 | 1800 | 2030 | | | | | |
| 1900 | 2464 | 1900 | 2130 | | | | | |
| 2000 | 2555 | 2000 | 2230 | | | | | |

紹
介

河
川

暗渠・防火水槽

下
水
道

道
路

擁
壁

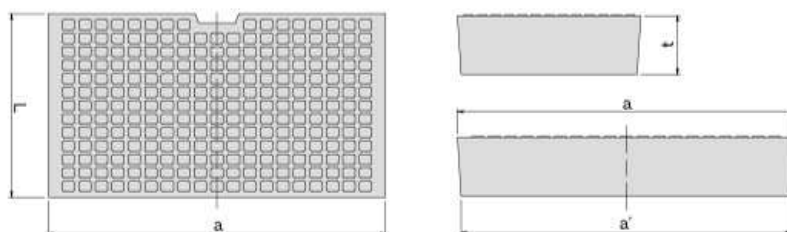
水
路

そ
の
他

アートOS (大型)

アートOS (大型) 蓋

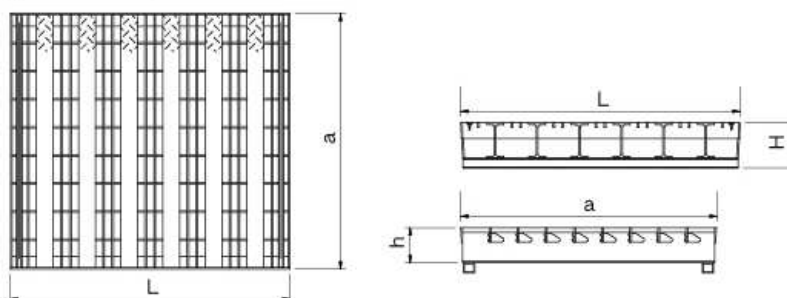
単体図



| 呼び名 | 参考質量 (kg) | 価格 (円) | 寸法 (mm) | | | | 備考 |
|------|-----------|--------|---------|------|-----|-----|----|
| | | | a | a' | t | L | |
| 車道用 | 700 | 136 | 820 | 800 | 150 | 500 | |
| | 800 | 163 | 920 | 900 | 160 | | |
| | 900 | 194 | 1030 | 1010 | 170 | | |
| | 1000 | 226 | 1130 | 1110 | 180 | | |
| 軽荷重用 | 700 | 136 | 820 | 800 | 150 | 500 | |
| | 800 | 163 | 920 | 900 | 160 | | |
| | 900 | 194 | 1030 | 1010 | 170 | | |
| | 1000 | 226 | 1130 | 1110 | 180 | | |

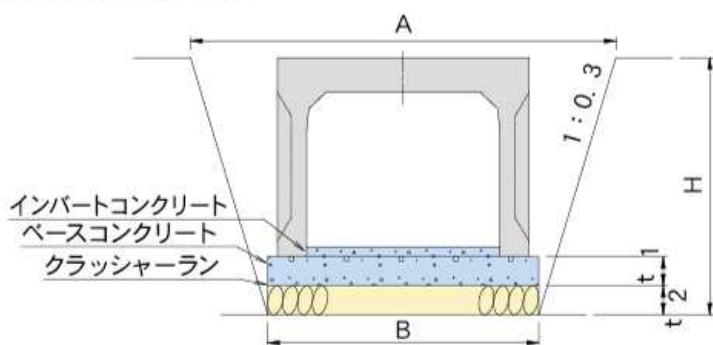
アートOS (大型) グレーチング

単体図



| 呼び名 | 適応荷重 | 寸法 (mm) | | | | 参考質量 (kg) | 価格 (円) |
|------|------|---------|-----|-----|-------|-----------|--------|
| | | a | L | h | H | | |
| 700 | T-25 | 810 | 995 | 100 | 150 | 82.2 | |
| | | | 495 | | | 45.3 | |
| | T-20 | 810 | 995 | 100 | 150 | 82.2 | |
| | | | 495 | | | 45.3 | |
| | T-14 | 810 | 995 | 90 | 150 | 90.9 | |
| | | | 495 | | | 45.2 | |
| T-6 | 810 | 995 | 60 | 150 | 79.0 | | |
| | | 495 | | | 40.5 | | |
| T-2 | 810 | 995 | 38 | 150 | 52.5 | | |
| 800 | T-25 | 910 | 995 | 125 | 160 | 94.8 | |
| | | | 495 | | | 52.1 | |
| | T-20 | 910 | 995 | 100 | 160 | 92.2 | |
| | | | 495 | | | 49.5 | |
| | T-14 | 910 | 995 | 90 | 160 | 112.8 | |
| | | | 495 | | | 55.8 | |
| T-6 | 910 | 995 | 65 | 160 | 91.7 | | |
| | | 495 | | | 46.9 | | |
| T-2 | 910 | 995 | 44 | 160 | 62.8 | | |
| 900 | T-25 | 1020 | 995 | 125 | 170 | 106.0 | |
| | | | 495 | | | 59.9 | |
| | T-20 | 1020 | 995 | 125 | 170 | 106.0 | |
| | | | 495 | | | 59.9 | |
| | T-14 | 1020 | 995 | 100 | 170 | 103.3 | |
| | | | 495 | | | 55.4 | |
| T-6 | 1020 | 995 | 75 | 170 | 113.3 | | |
| | | 495 | | | 58.1 | | |
| T-2 | 1020 | 995 | 44 | 170 | 68.9 | | |
| 1000 | T-25 | 1120 | 995 | 150 | 180 | 118.3 | |
| | | | 495 | | | 68.4 | |
| | T-20 | 1120 | 995 | 150 | 180 | 118.3 | |
| | | | 495 | | | 68.4 | |
| | T-14 | 1120 | 995 | 125 | 180 | 116.6 | |
| | | | 495 | | | 64.2 | |
| T-6 | 1120 | 995 | 75 | 180 | 123.4 | | |
| | | 495 | | | 63.3 | | |
| T-2 | 1120 | 995 | 50 | 180 | 91.1 | | |
| | | | 495 | | | 47.1 | |

標準断面数量表



ベースコンクリートを打設する場合

| 呼び名 | t ₁ (mm) | t ₂ (mm) |
|------|---------------------|---------------------|
| 700 | 100 | 150 |
| 800 | 100 | 150 |
| 900 | 150 | 150 |
| 1000 | 150 | 150 |

| 呼び名 | 寸法(mm) | | | 土工(m ²) | | | 材 料 | | | | | 備 考 | | | | | | |
|------------|--------|------|-------|---------------------|-------|-------|-------------------------------|-------------------------------|-------|-------|-----------------------------|---|-------|-------|------|--------|--------|--|
| | H | A | B | 床掘 | 埋戻 | 残土 | ベースコン リート(m ³) | クラッシャー ラン(m ³) | 本体(本) | 蓋板(枚) | 目地 モルタル(m ²) | | | | | | | |
| 700 × 500 | 950 | 1640 | 1070 | 12.87 | 3.95 | 8.92 | 1.070 | 1.605 | 5.0 | 10.0 | 0.0028 | (1)埋戻・残土量の体積変化による 度量変化は考慮していない。 (2)現場うち底部コンクリートの 歩掛りは別途計算上願います | | | | | | |
| 600 | 1050 | 1700 | | 14.54 | 4.79 | 9.75 | | | | | 0.0032 | | | | | | | |
| 700 | 1150 | 1760 | | 16.27 | 5.69 | 10.58 | | | | | 0.0036 | | | | | | | |
| 800 | 1250 | 1820 | | 18.06 | 6.65 | 11.41 | | | | | 0.0040 | | | | | | | |
| 900 | 1350 | 1880 | | 19.91 | 7.67 | 12.24 | | | | | 0.0044 | | | | | | | |
| 1000 | 1450 | 1940 | | 21.82 | 8.75 | 13.07 | | | | | 0.0046 | | | | | | | |
| 1100 | 1550 | 2000 | | 23.79 | 9.89 | 13.90 | | | | | 0.0053 | | | | | | | |
| 1200 | 1650 | 2060 | | 25.82 | 11.09 | 14.73 | | | | | 0.0057 | | | | | | | |
| 1300 | 1750 | 2120 | | 27.91 | 12.35 | 15.68 | | | | | 0.0061 | | | | | | | |
| 1400 | 1850 | 2180 | | 30.06 | 13.67 | 16.39 | | | | | 0.0065 | | | | | | | |
| 1500 | 1950 | 2240 | | 32.27 | 15.05 | 17.22 | | | | | 0.0069 | | | | | | | |
| 1600 | 2050 | 2300 | | 34.54 | 16.49 | 18.05 | | | | | 0.0074 | | | | | | | |
| 1700 | 2150 | 2360 | | 36.87 | 17.99 | 1.888 | | | | | 0.0076 | | | | | | | |
| 800 × 600 | 1060 | 1816 | | 1180 | 15.88 | 4.87 | | | | | 11.01 | | 1.180 | 1.770 | 5.0 | 10.0 | 0.0032 | |
| 700 | 1160 | 1876 | 17.72 | | 5.77 | 11.95 | 0.0036 | | | | | | | | | | | |
| 800 | 1260 | 1936 | 19.63 | | 6.47 | 12.89 | 0.0040 | | | | | | | | | | | |
| 900 | 1360 | 1996 | 21.60 | | 7.76 | 13.83 | 0.0045 | | | | | | | | | | | |
| 1000 | 1460 | 2056 | 23.62 | | 8.85 | 14.77 | 0.0049 | | | | | | | | | | | |
| 1100 | 1560 | 2116 | 25.71 | | 10.00 | 15.71 | 0.0053 | | | | | | | | | | | |
| 1200 | 1660 | 2176 | 27.85 | | 11.20 | 16.65 | 0.0057 | | | | | | | | | | | |
| 1300 | 1760 | 2236 | 30.06 | | 12.47 | 17.58 | 0.0061 | | | | | | | | | | | |
| 1400 | 1860 | 2296 | 32.33 | | 13.79 | 18.53 | 0.0066 | | | | | | | | | | | |
| 1500 | 1960 | 2356 | 34.65 | | 15.18 | 19.47 | 0.0070 | | | | | | | | | | | |
| 1600 | 2060 | 2416 | 37.04 | | 16.63 | 20.41 | 0.0074 | | | | | | | | | | | |
| 1700 | 2160 | 2476 | 39.48 | | 18.13 | 21.35 | 0.0078 | | | | | | | | | | | |
| 1800 | 2260 | 2536 | 41.99 | | 19.70 | 22.29 | 0.0082 | | | | | | | | | | | |
| 900 × 700 | 1220 | 2022 | 1290 | | 20.20 | 6.21 | 13.99 | 1.935 | 1.935 | 5.0 | 10.0 | 0.0036 | | | | | | |
| 800 | 1320 | 2082 | | 22.26 | 7.22 | 15.04 | 0.0040 | | | | | | | | | | | |
| 900 | 1420 | 2142 | | 24.37 | 8.28 | 16.09 | 0.0045 | | | | | | | | | | | |
| 1000 | 1520 | 2202 | | 26.54 | 9.40 | 17.14 | 0.0049 | | | | | | | | | | | |
| 1100 | 1620 | 2262 | | 28.77 | 10.58 | 18.19 | 0.0053 | | | | | | | | | | | |
| 1200 | 1720 | 2322 | | 31.06 | 11.82 | 19.24 | 0.0058 | | | | | | | | | | | |
| 1300 | 1820 | 2382 | | 33.42 | 13.12 | 20.29 | 0.0062 | | | | | | | | | | | |
| 1400 | 1920 | 2442 | | 35.83 | 14.49 | 21.34 | 0.0066 | | | | | | | | | | | |
| 1500 | 2020 | 2502 | | 38.30 | 15.91 | 22.39 | 0.0070 | | | | | | | | | | | |
| 1600 | 2120 | 2562 | | 40.83 | 17.39 | 23.44 | 0.0074 | | | | | | | | | | | |
| 1700 | 2220 | 2622 | | 43.42 | 18.93 | 24.49 | 0.0079 | | | | | | | | | | | |
| 1000 × 500 | 1030 | 2018 | | 1400 | 17.60 | 4.46 | 13.14 | | | | | 2.100 | 2.100 | 5.0 | 10.0 | 0.0028 | | |
| 600 | 1130 | 2078 | | | 19.65 | 5.35 | 14.30 | | | | | | | | | 0.0032 | | |
| 700 | 1230 | 2138 | | | 21.76 | 6.30 | 15.46 | | | | | | | | | 0.0036 | | |
| 800 | 1330 | 2198 | 23.93 | | 7.31 | 16.62 | 0.0040 | | | | | | | | | | | |
| 900 | 1430 | 2258 | 26.15 | | 8.37 | 17.78 | 0.0045 | | | | | | | | | | | |
| 1000 | 1530 | 2318 | 28.44 | | 9.50 | 18.94 | 0.0050 | | | | | | | | | | | |
| 1100 | 1630 | 2378 | 30.79 | | 10.69 | 20.10 | 0.0054 | | | | | | | | | | | |
| 1200 | 1730 | 2438 | 33.20 | | 11.93 | 21.26 | 0.0058 | | | | | | | | | | | |
| 1300 | 1830 | 2498 | 35.67 | | 13.24 | 22.42 | 0.0062 | | | | | | | | | | | |
| 1400 | 1930 | 2558 | 38.19 | | 14.61 | 23.56 | 0.0066 | | | | | | | | | | | |
| 1500 | 2030 | 2618 | 40.78 | | 16.04 | 24.74 | 0.0071 | | | | | | | | | | | |
| 1600 | 2130 | 2678 | 43.43 | | 17.53 | 25.90 | 0.0075 | | | | | | | | | | | |
| 1700 | 2230 | 2738 | 46.14 | | 19.07 | 27.06 | 0.0079 | | | | | | | | | | | |
| 1800 | 2330 | 2798 | 48.91 | | 20.68 | 28.22 | 0.0083 | | | | | | | | | | | |
| 1900 | 2430 | 2858 | 51.73 | | 22.35 | 28.38 | 0.0087 | | | | | | | | | | | |
| 2000 | 2530 | 2918 | 54.62 | | 24.08 | 30.54 | 0.0092 | | | | | | | | | | | |